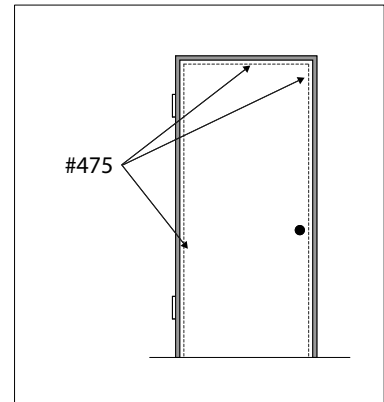
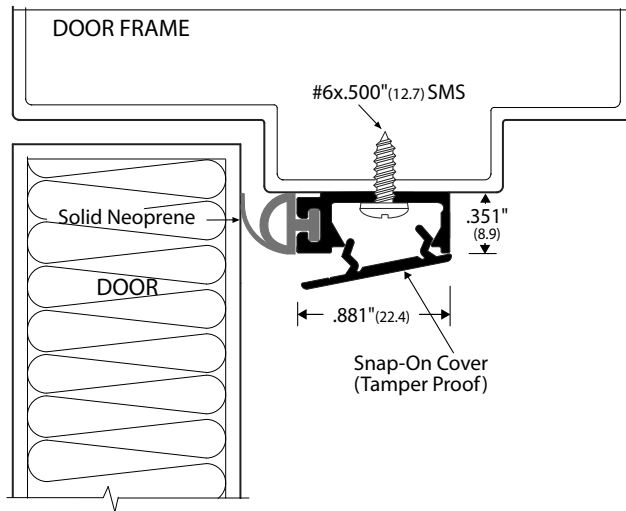
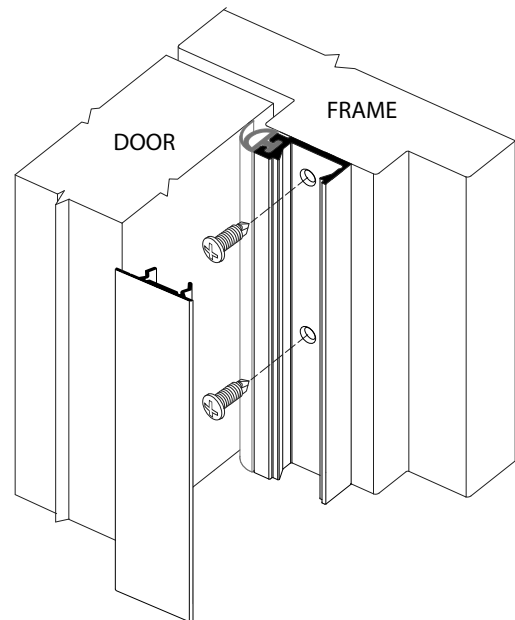


#475 Head and Jamb Protection INSTALLATION INSTRUCTIONS



- 1 Close the door and measure the frame opening.
- 2 Install the seal (trim as necessary), head piece first. Place the piece against the face of door, making GENTLE contact between the rubber extrusion seal and the door. Fasten in place.
- 3 Place hinge side piece against the face of door, making GENTLE contact between the rubber extrusion seal and the door. Fasten in place. Repeat the same procedure with the lock side.
- 4 Snap the cover on after all screws are installed.



ZERO INTERNATIONAL, INC.

415 Concord Avenue, Bronx, NY 10455-1004

Tel : 718-585-3230 • Fax : 718-292-2243

E-mail : zero@zerointernational.com

www.zerointernational.com

