

INSTALLATION INSTRUCTIONS

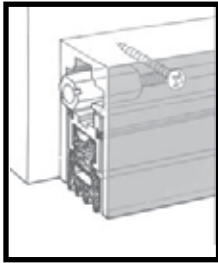
Automatic Door Bottom #320, #350, #351, #352, #360, #361, #362, #364, #365, #366, #367, #368, #369



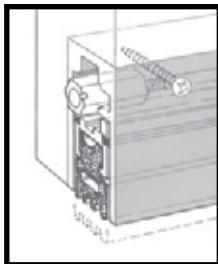
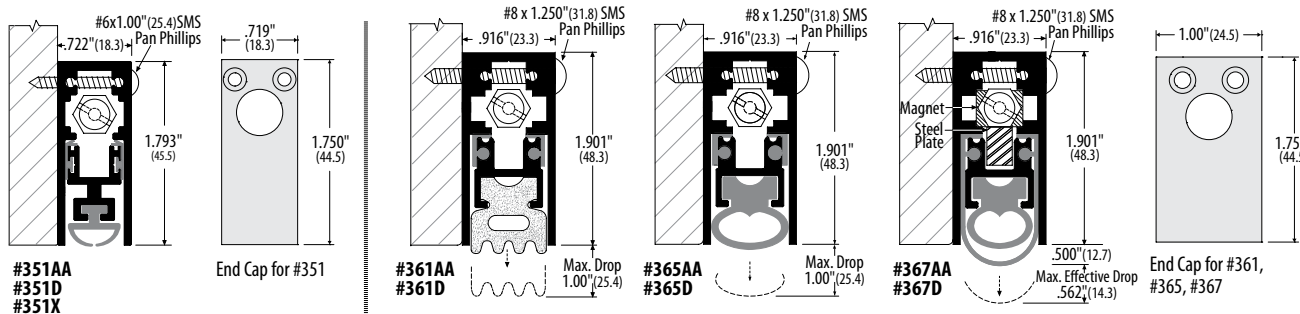
ZERO INTERNATIONAL, INC.
 415 Concord Avenue, Bronx, NY 10455-4801
 Tel: 718-585-3230 • Fax: 718-292-2243
 www.zerointernational.com



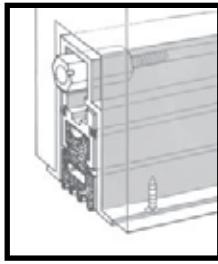
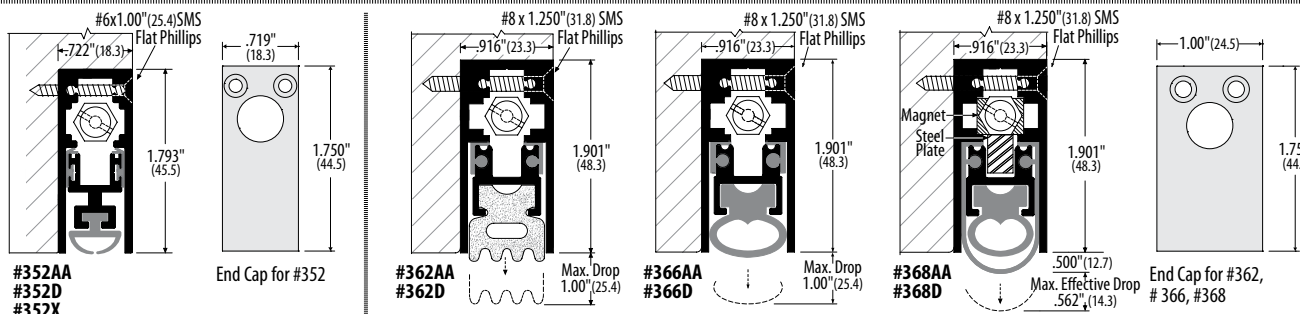
Typical Mounting of Automatic Door Bottoms



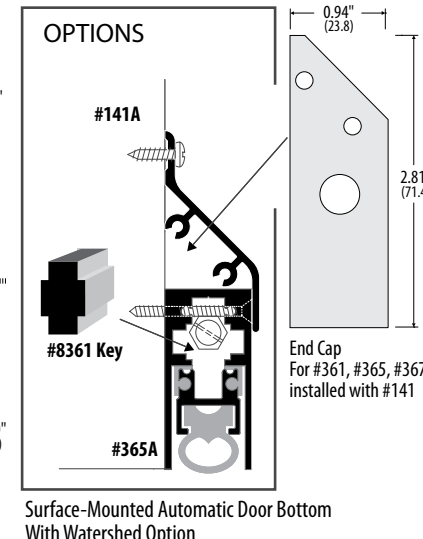
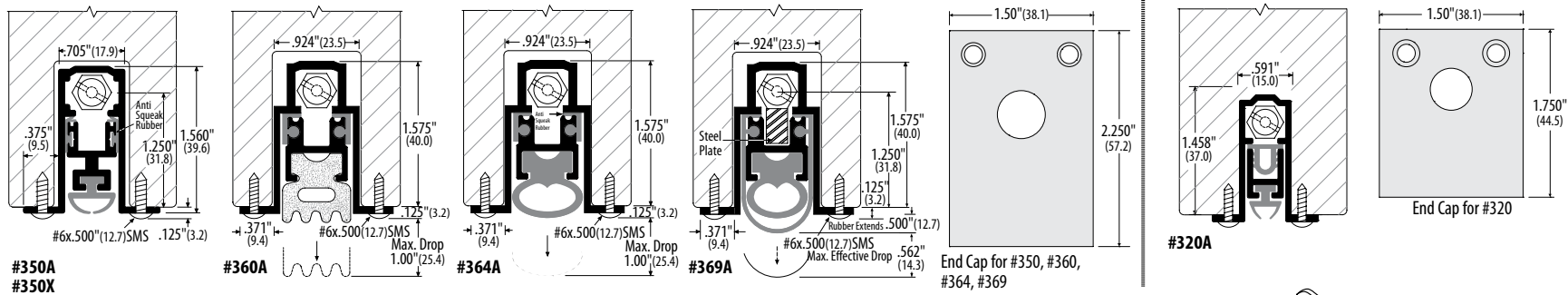
● Surface-Mounted



● Semi-Mortised



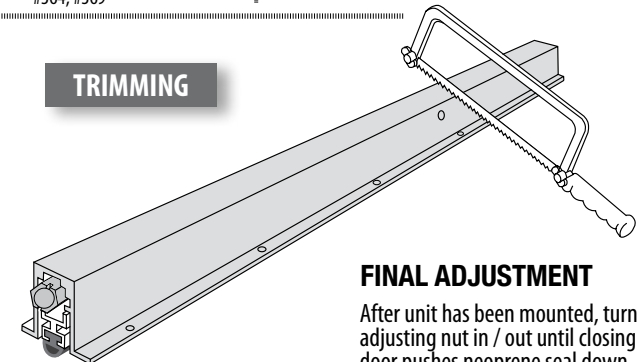
● Mortised



How To Install:

- 1** All surface and semi-mortised units must be mounted on the push side of the door stop (side where the door stop is).
- 2** The brass adjusting nut must be on the hinge side and should not be adjusted until the unit has been mounted.
- 3** Leave 1/16" (1.6) clearance on each end.
- 4** Optimum clearance between door bottom unit and floor or sill is 3/8" (9.5).

TRIMMING



FINAL ADJUSTMENT

After unit has been mounted, turn adjusting nut in / out until closing door pushes neoprene seal down to make contact with floor/sill.

(Length in inches unless specified other)