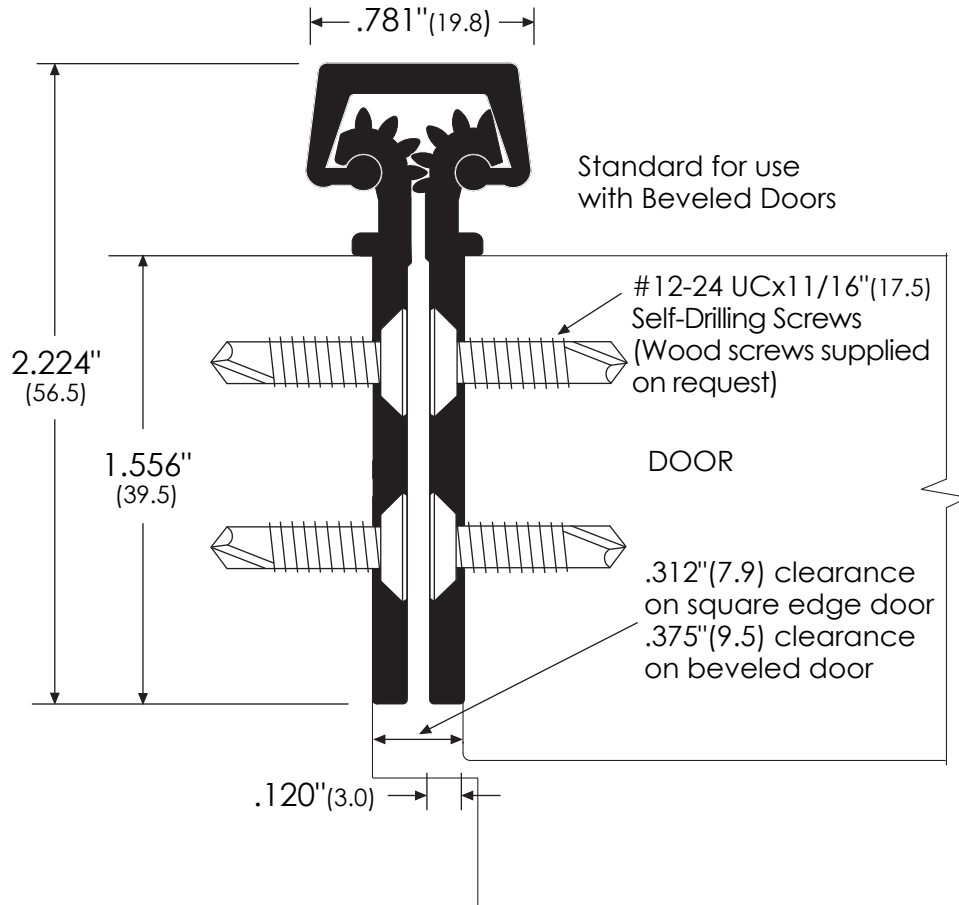




ITS Warnock Hersey listed



10B Classified up to 90 minutes



**Legend:**

AA = Clear Anodized  
D = Dark Bronze Anodized  
DB = Double Bearing

**ANSI/BHMA**

#910AA, 910D

A31013G

#910DB-AA, 910DB-D

A31023G



415 Concord Avenue tel: 718.585.3230  
Bronx, NY 10455 fax: 718.292.2243  
email: zero@zerointernational.com  
web site: www.zerointernational.com

**Part No:**

910

**Notes:**

**Part Description:**

Continuous Hinge

- Geared
- Aluminum
- Edge Mount

**Provided By:**

**Customer Name:**

**Job No:**

**Date:**