



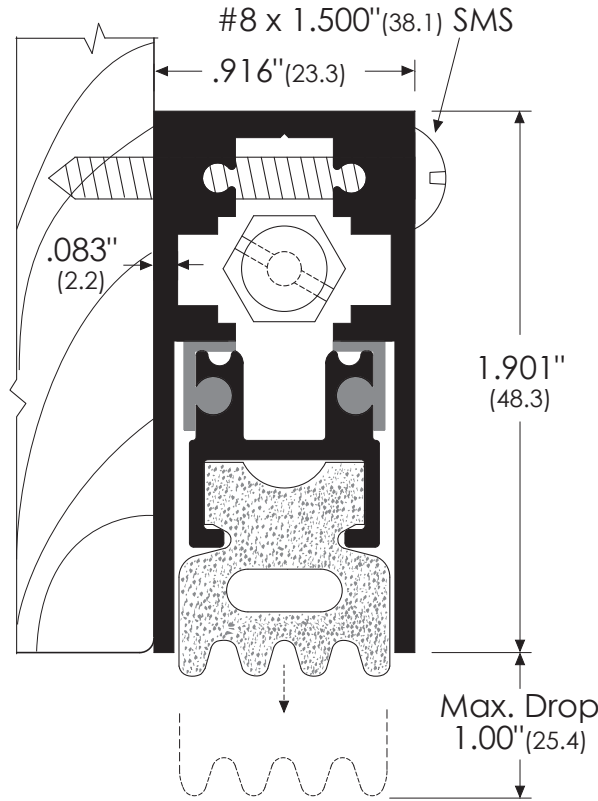


**FIRE RATING**

-  UL listed
-  ITS Warnock Hersey listed
-  10C Classified

**SMOKE PERFORMANCE**

 The rubber seal in this gasket provides protection from smoke infiltration in accordance with provisions of NFPA 101 Life Safety Code and NFPA 80 Standard for Fire Doors and Other Opening Protectives



**Legend:**

- AA = Clear Anodized
- D = Dark Bronze Anodized
- G = Gold Anodized

**ANSI/BHMA**

#361AA / 361D / 361G      R3C334



415 Concord Avenue      tel: 718.585.3230  
Bronx, NY 10455      fax: 718.292.2243  
email: zero@zerointernational.com  
web site: www.zerointernational.com

**Part No:**  
361

**Notes:**

**Part Description:**  
Automatic Door Bottom  
- Surface Mounted / Heavy Duty

**Provided By:**

**Customer Name:**

**Job No:**

**Date:**