



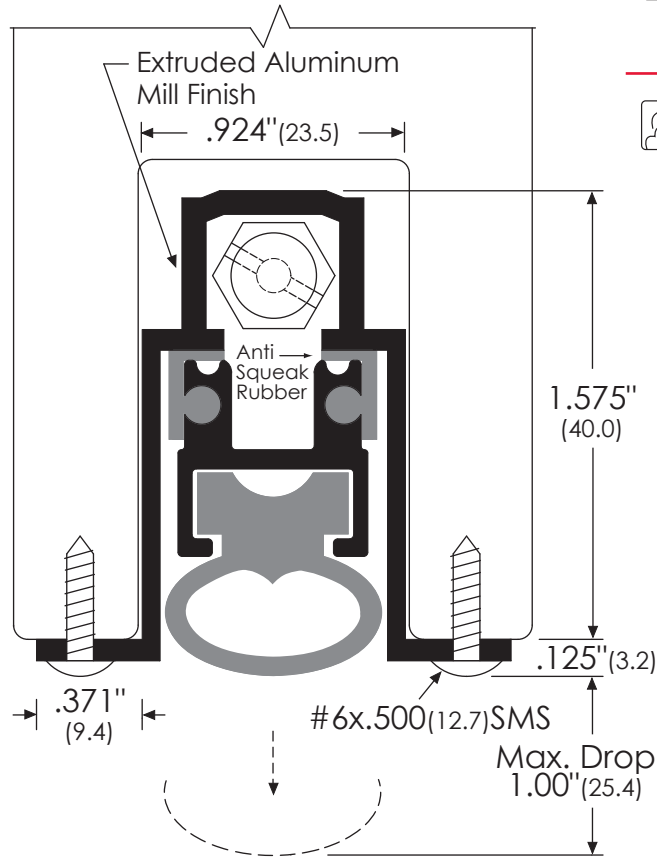


FIRE RATING

-  UL listed
-  ITS Warnock Hersey listed
-  10C Classified

SMOKE PERFORMANCE

 The rubber seal in this gasket provides protection from smoke infiltration in accordance with provisions of NFPA 101 Life Safety Code and NFPA 80 Standard for Fire Doors and Other Opening Protectives



ANSI/BHMA

Legend:

AA = Clear Anodized
STST = Stainless Steel

#364AA
#364STST

R3B324
R5B324



415 Concord Avenue tel: 718.585.3230
Bronx, NY 10455 fax: 718.292.2243
email: zero@zerointernational.com
web site: www.zerointernational.com

Part No:

364

Notes:

Part Description:

Automatic Door Bottom
- Mortised / Heavy Duty

Provided By:

Customer Name:

Job No:

Date: