



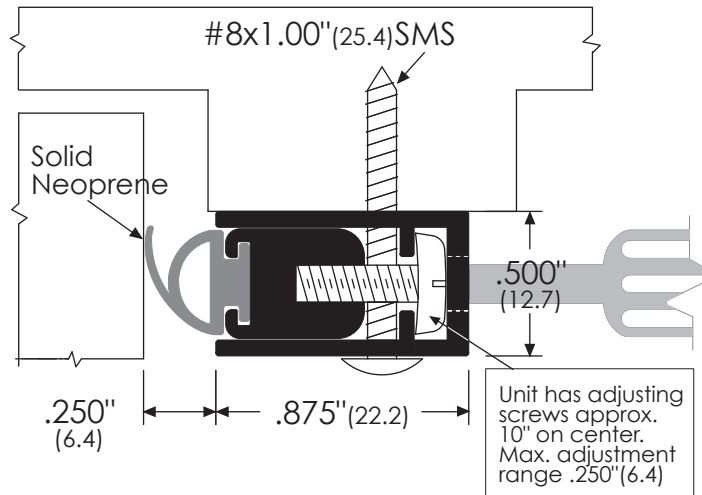
FIRE RATING

 ITS Warnock Hersey listed

 10B Classified up to 90 minutes

SMOKE PERFORMANCE

 The rubber seal in this gasket provides protection from smoke infiltration in accordance with provisions of NFPA 101 Life Safety Code and NFPA 80 Standard for Fire Doors and Other Opening Protectives



ANSI/BHMA

Legend:

AA = Clear Anodized
D = Dark Bronze Anodized

Head & Jamb #870AA / 870D R3B264



415 Concord Avenue tel: 718.585.3230
Bronx, NY 10455 fax: 718.292.2243
email: zero@zerointernational.com
web site: www.zerointernational.com

Part No:
870

Notes:

Part Description:

Head & Jamb Protection
- Stop Applied
- Adjustable
- Neoprene

Provided By:

Customer Name:

Job No:

Date: