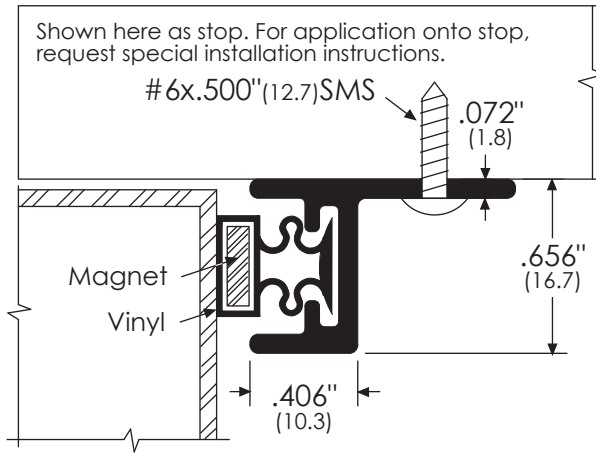
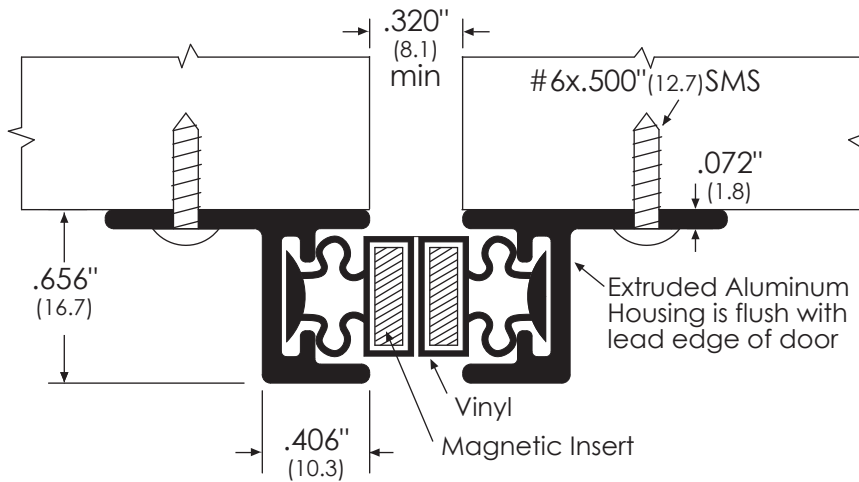
 The rubber seal in this gasket provides protection from smoke infiltration in accordance with provisions of NFPA 101 Life Safety Code and NFPA 80 Standard for Fire Doors and Other Opening Protectives



**Head and Jamb Protection  
- Magnetic**



**Surface Mounted Meeting Stile  
- Both Doors Active  
- Magnetic**

**Legend:**

A = Aluminum  
D = Dark Bronze Anodized

**ANSI/BHMA**

Head & Jamb	#370A / 370D	R3L165 R3L105
Meeting Stiles	#370A / 370D	R3L735



415 Concord Avenue tel: 718.585.3230  
Bronx, NY 10455 fax: 718.292.2243  
email: zero@zerointernational.com  
web site: www.zerointernational.com

**Part No:**  
370

**Notes:**

**Part Description:**  
See above for options

**Provided By:**

**Customer Name:**

**Job No:**

**Date:**